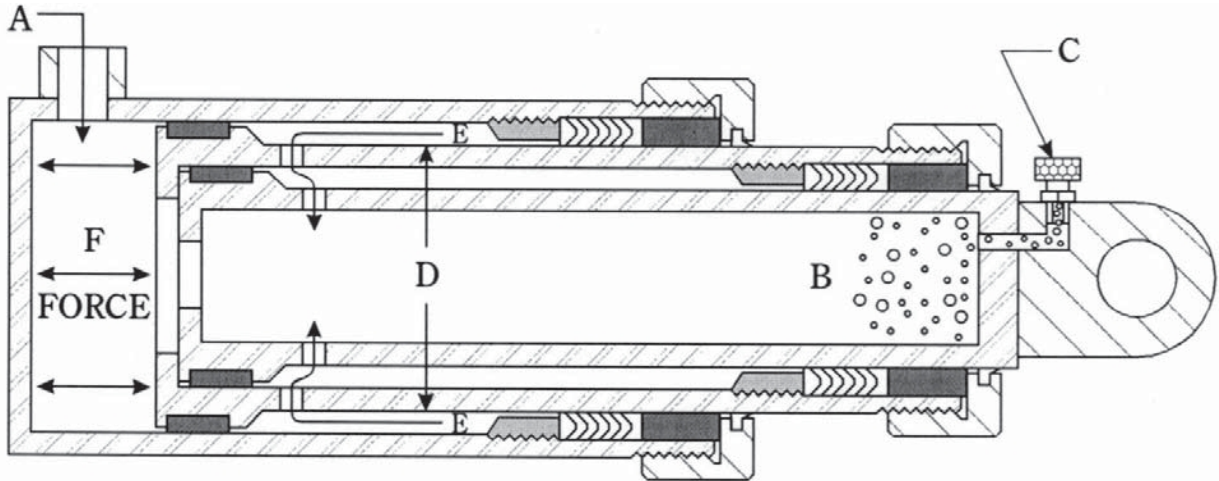


## SINGLE ACTING TELESCOPIC CYLINDERS



### **To Extend:**

High pressure oil from the pump is directed by the control valve through the port (A) to fill the cylinder. Any air in the system is trapped in the end of the cylinder (B) and may be bled off through the bleeder valve (C). Generally, bleeding is only necessary on initial start up or if air has been allowed to enter the system.

Oil pushes on the bottom of the sleeve or plunger forcing (F) it to move out. The outside diameter or sealing area of the sleeve or plunger (D) determines the effective area.

As the sleeve or plunger moves out, the oil trapped between (E) the sleeve or plunger wall is released through holes in the sleeve or plunger.

### **To Retract:**

A single acting cylinder must be retracted by gravity or mechanical means.

