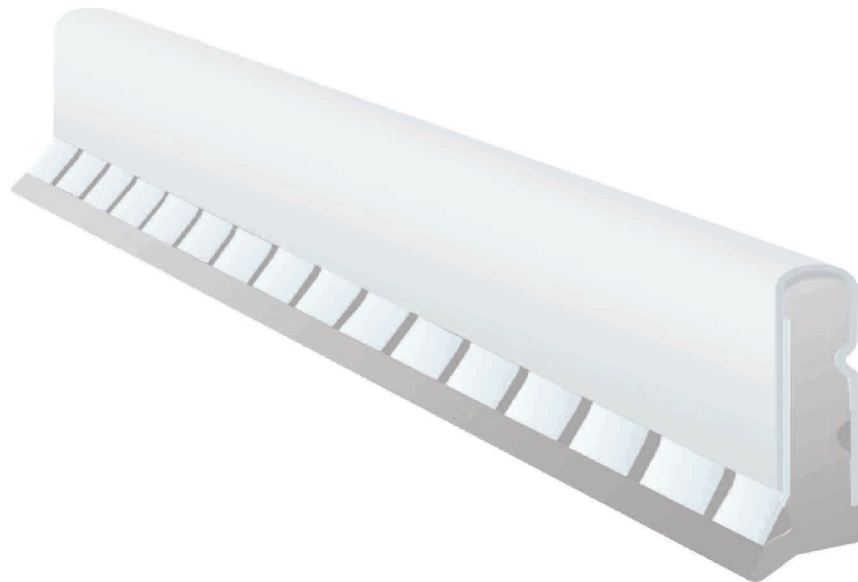




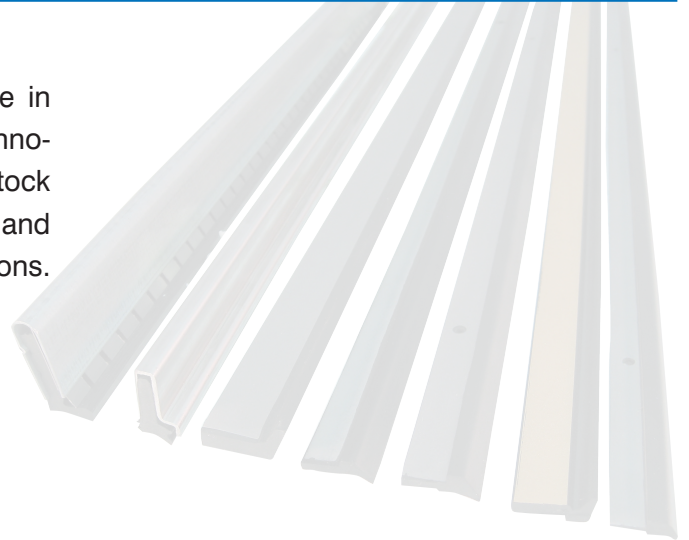
Wipers

1-877-905-SEAL

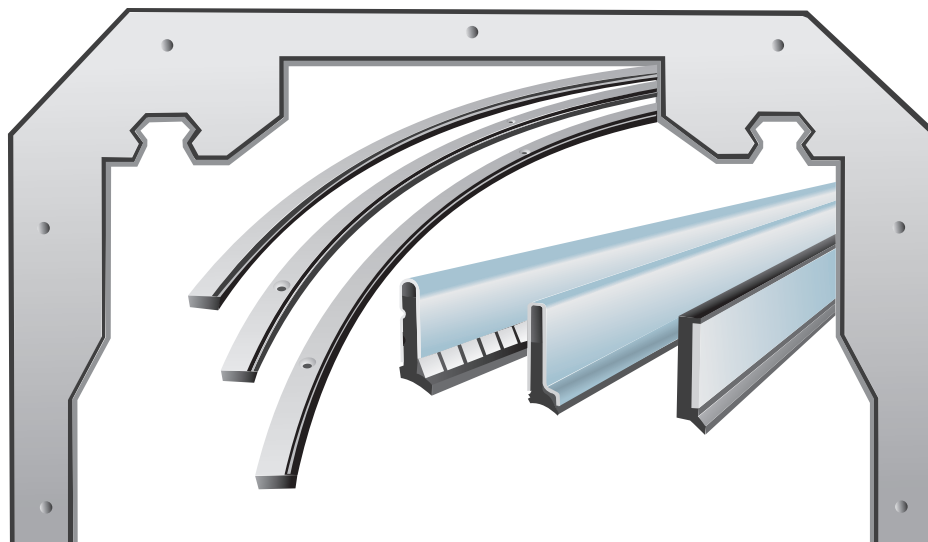


- Way wipers (FB)
- Way Wipers for Telescopic Steel Covers (TA)
- Formed Wipers

CQM's team has more than 30 years experience in the field of way wipers, marked by continual innovation and perfection. This applies equally to stock way wipers, wipers for steel telescopic covers and formed way wipers made to customer's specifications.



CQM offers way wipers that are manufactured according to latest machine-building advances. Depending on the material selected, they make allowance for criteria such as dry running, resistance to microorganisms, hydrolysis, mineral oil, coolants, acids, leaches and gasoline as well as operating temperatures up to 200°C.



It is our aim to satisfy the requirements of diverse target groups and to find solutions where others have already given up.

Way Wipers (FB)

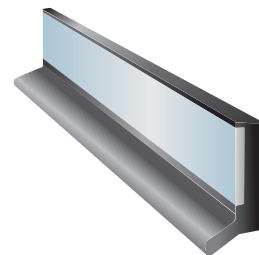
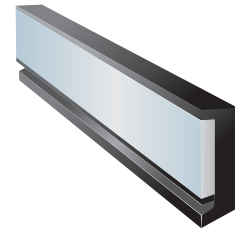


Design

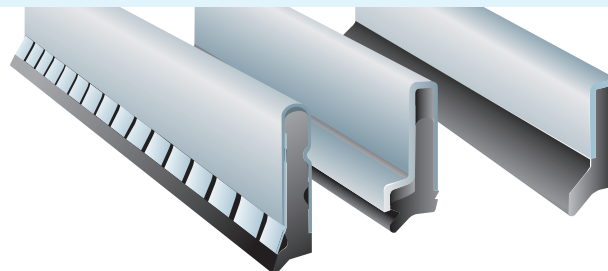
Unless otherwise indicated in the drawing, FB Series way wipers are made of synthetic rubber with molded-in steel insert.

Material properties of wiper lip

- Highly abrasion-resistant
- Temperature-resistant from -40°C to +100°C, short-term up to 140°C
- Very good mechanical characteristics
- Resistant to coolants and mineral oils
- Resistant to microorganisms
- Hydrolitic resistance.



For permanent operating temperatures of up to 200°C or where the wipers are exposed to particularly aggressive coolants or acids, they can also be made from other elastomeres, such as FPM.



Dimensional stability

The wipers are manufactured in special molds, ensuring 100 % repeat-order accuracy.

Protective coating

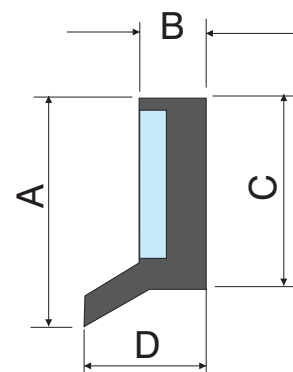
All wipers type FB are provided with a transparent coating as a protection against chips and corrosion, except series "M" (stainless steel).

Delivery

Standard lengths are available from stock. Processed wipers (cut to length, drilled, milled...) available on short notice.

Preload

All wipers shown in relaxed position.
Recommended preload: see drawings inside.



Way Wipers (FB)

- shown in relaxed position -



	A	B	L = 500 mm
FB-A1	14	6,5	
FB-A3	18	6,5	
FB-A5	25	6,5	
FB-A7	14	5	
FB-A9	18	5	
FB-A11	25	5	

Page 7

	A	D	L = 560 mm + 1000 mm
FB-B1	9,5	5	
FB-B3	15	7	
FB-B5	18	9	
FB-B7	21	7	
FB-B9	25	11	
FB-B11	26	7	
FB-B15	31	7	
FB-B19	39	7	

Page 7

	A	E	L = 800 mm
FB-C1	27	15	
FB-C5	32	15	

Page 8

	A	D	L = 800 mm
FB-C3	25	12	
FB-C7	30	12	

Page 8

FB-D1 L = 850 mm

Page 8

FB-D3 L = 850 mm

Page 8

	A	D	L = 500 mm
FB-G1	25	12	
FB-G3	30	12	

Page 8

	A	D	L = 600 mm
FB-E1	25	2	
FB-E5	34	2	

Page 8

FB-U1 L = 500 mm

Page 9

FB-U3 L = 500 mm flexible

Page 9

FB-U5 L = 500 mm flexible

Page 9

FB-U60 L = 500 mm

Page 9

FB-U90 L = 560 mm

Page 9

FB-M14 L = 530 mm + 1000 mm

Stainless steel

Page 10

FB-M18 L = 530 mm 1000 mm

Stainless steel

Page 10

FB-M25 L = 530 mm 1000 mm

Stainless steel

Page 10

FB-M27 L = 500 mm

Pressure springs

Page 10

FB-H1 L = 500 mm

Page 11

	A	D	L = 500 mm
FB-K1	18	7,5	
FB-K3	25	7,5	

Page 11

FB-N1 L = 500 mm

Page 11

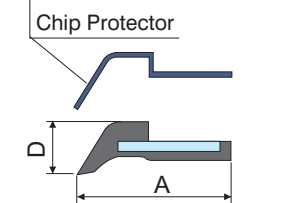
	A	D	L = 560 mm
FB-V1	18	7,5	
FB-V3	18	7,5	

Page 11

Way Wipers (FB)

- shown in relaxed position -

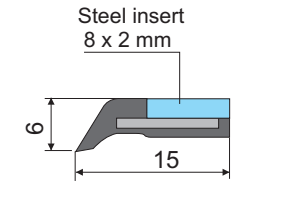
	A	D	Length
TA-A1	15	6	500 mm
TA-A3	15	6	1000 mm
TA-A15			1000 mm



Chip Protector

Page 13

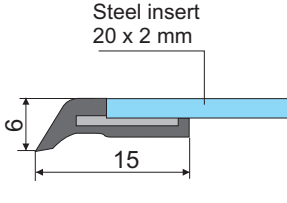
TA-A5 L = 500 mm



Steel insert 8 x 2 mm

Page 13

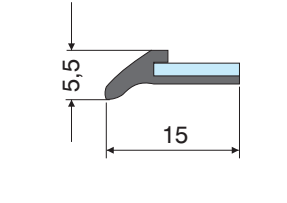
TA-A7 L = 500 mm



Steel insert 20 x 2 mm

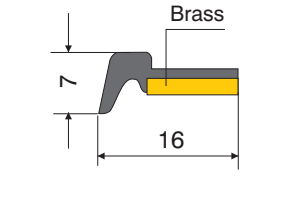
Page 13

TA-A30 L = 600 mm



Page 13

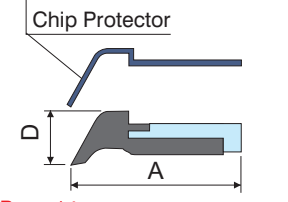
TA-A40 L = 560 mm



Brass

Page 13

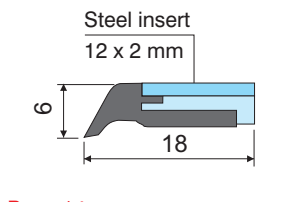
	A	D	Length
TA-B1	18	6	500 mm
TA-B3	18	6	1000 mm
TA-B15			1000 mm



Chip Protector

Page 14

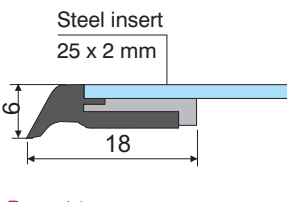
TA-B5 L = 500 mm



Steel insert 12 x 2 mm

Page 14

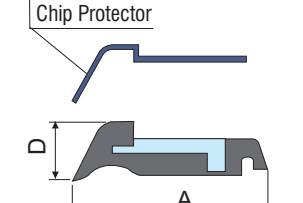
TA-B7 L = 500 mm



Steel insert 25 x 2 mm

Page 14

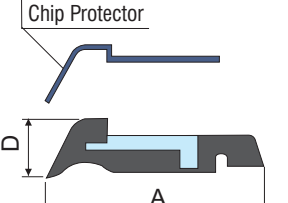
	A	D	Length
TA-B9	20	5,5	500 mm
TA-B15			1000 mm



Chip Protector

Page 14

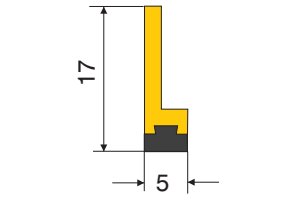
	A	D	Length
TA-B11	20	5,5	500 mm
TA-B15			1000 mm



Chip Protector

Page 14

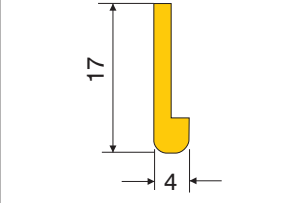
TA-G1 L = 500 mm



Page 17

TA-G2 L = 1000 mm

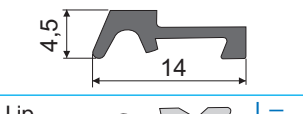
Sliding shoes




Page 17

TA-C1.5 L = 1000 mm

Carrier



Lip



L = endless

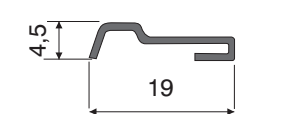
Material

TA-C1.7	PU 83°, white, black, red
TA-C1.9	PU 95°, black

Page 15


TA-C1.20 L = 1000 mm

Carrier



TA-C1.21 L = endless

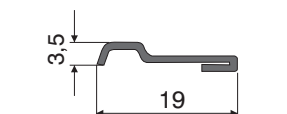
Lip



Page 15


TA-C1.22 L = 1000 mm

Carrier



TA-C1.23 L = endless

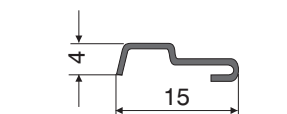
Lip



Page 15


TA-C1.24 L = 1000 mm

Carrier



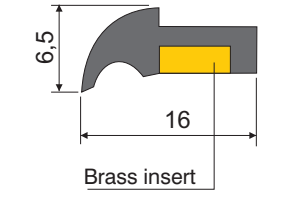
TA-C1.25 L = endless

Lip



Page 15

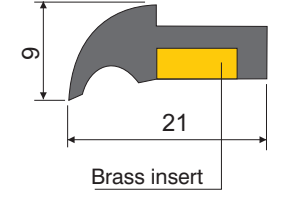
TA-M1.0 L = 1000 mm



Brass insert

Page 16

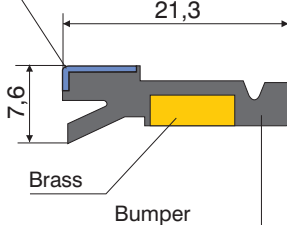
TA-M2.0 L = 1000 mm



Brass insert

Page 16

TA-M3.0 L = 1000 mm



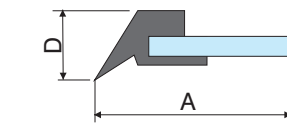
Chip Protector

Brass

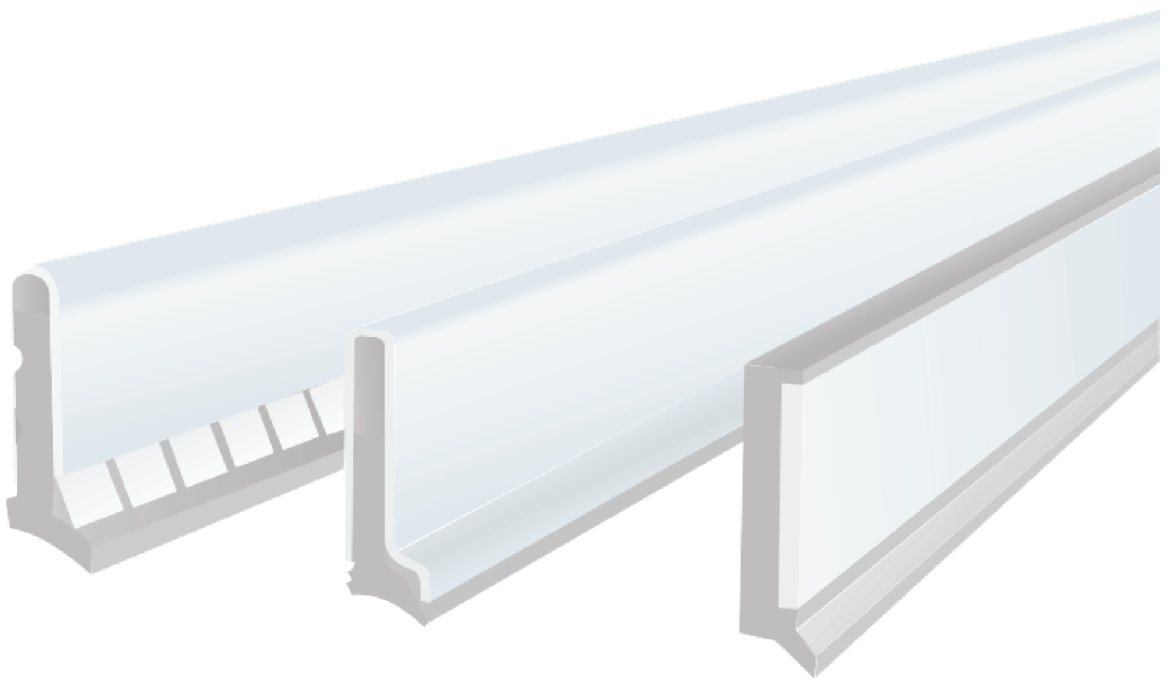
Bumper

Page 16

	A	D	L = 560 mm
TA-RA1	16	6	
TA-RA2	20	7	
TA-RA3	13	4	



Page 17

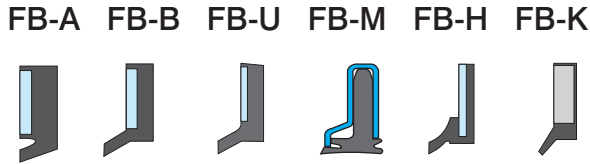


Way Wipers

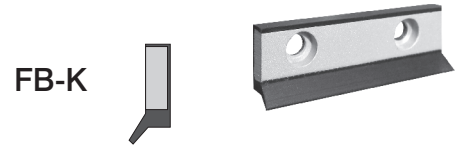
What wiper for what purpose?



All-purpose wipers

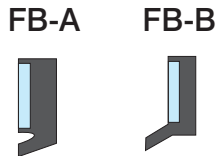


Wipers in which **stepped holes** can be drilled



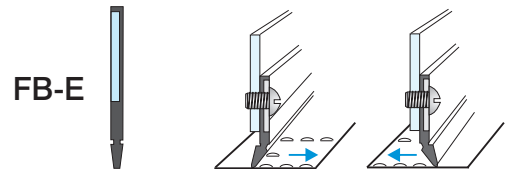
(Page 11)

Wipers for **milled slideways**



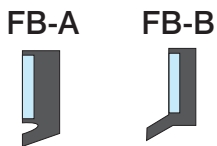
(Page 7)

Wipers for surfaces with **grooves or gaps**



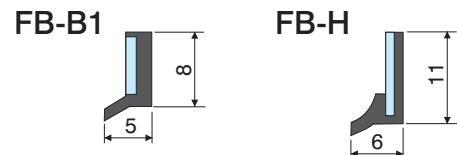
(Page 8)

Wipers for **ground slideways:**
slightly preload (~0.5mm)



(Page 7)

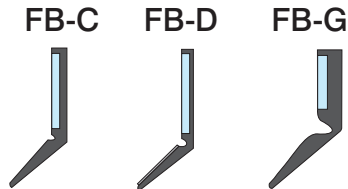
Wipers for flat slideways with **confined mounting space**



(Page 7)

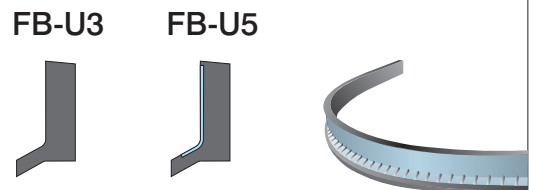
(Page 11)

Wipers for **uneven surfaces:**
due to the elasticity of the wiper lip, also uneven surfaces will be carefully cleaned



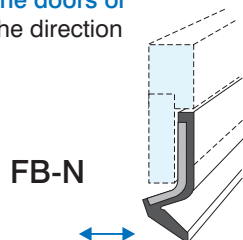
(Page 8)

Wipers also for **circular** operation



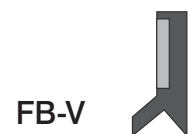
(Page 9)

Wipers for mounting on **machine doors or metal sheets** where space in the direction of travel is a criterion



(Page 11)

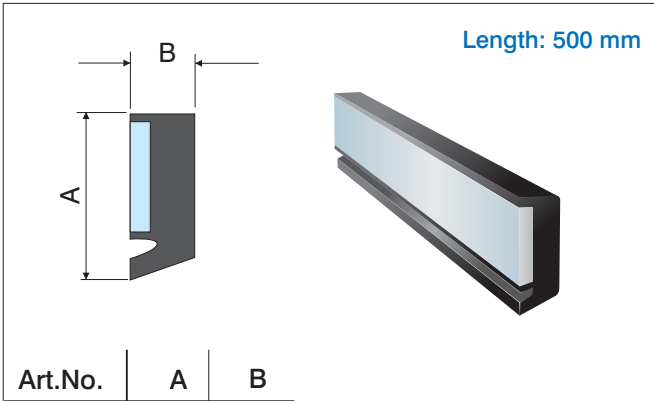
Use on **hydrostatic slideways** or without central lubrication (wiper retains lubricant in machine slide, at the same time cleaning the slideway)



(Page 11)

Way Wipers (FB)

Series A

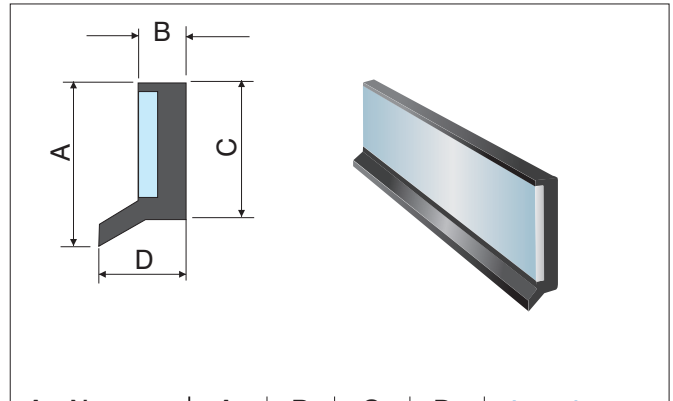


Length: 500 mm

Art.No.	A	B
FB-A1	14	6,5
FB-A3	18	6,5
FB-A5	25	6,5
FB-A7	14	5
FB-A9	18	5
FB-A11	25	5

Recommended preload: 0,5 - 1 mm

Series B



Art.No.	A	B	C	D	Length
FB-B1/560	9,5	2,5	8	5	560
FB-B1/1000	9,5	2,5	8	5	1000
FB-B3/560	15	5	12	7	560
FB-B3/1000	15	5	12	7	1000
FB-B5/560	18	5	15	9	560
FB-B5/1000	18	5	15	9	1000
FB-B7/560	21	5	17,5	7	560
FB-B7/1000	21	5	17,5	7	1000
FB-B9/560	25	6	21	11	560
FB-B9/1000	25	6	21	11	1000
FB-B11/560	26	5	23	7	560
FB-B11/1000	26	5	23	7	1000
FB-B15/560	31	5	28	7	560
FB-B15/1000	31	5	28	7	1000
FB-B19/560	39	5	36	7	560

Recommended preload: 0,5 - 1 mm

Way Wipers (FB)

Series C

With spring steel protection

Recommended preload: 1 - 4 mm

Spring steel protection

Art.No.	A	B	C	D	E
FB-C3	25	3	15,5	12	
FB-C7	30	3	20,5	12	

Length: 800 mm

Series D

With spring steel protection

Recommended preload: 1 - 4 mm

Spring steel protection

Art.No.	A	B	C	D
FB-D3	39	3,5	27	15

Length: 850 mm

Series G

Recommended preload: 3 - 8 mm

Length: 500 mm

Art.No.	A	B	C	D
FB-G1	30	5	17	15,5
FB-G3	40	5	27	15,5

Series E

Recommended preload: 1 - 3 mm

Length: 600 mm

Art.No.	A	B
FB-E1	25	2
FB-E5	34	2

Way Wipers (FB)

Series U

<p>Length: 500 mm</p>		<p>Recommended preload series U: 1 - 2 mm</p>		
Art.No.	A	B	C	D
FB-U1	25,4	6,35	22	12,7
<p>Length: 500 mm</p> <p>! Flexible, ideal for circular applications</p>		<p>Length: 500 mm</p> <p>Spring steel protection</p> <p>! Flexible, ideal for circular applications</p>		
Art.No.	A	B	C	D
FB-U3	25,4	6,35	22	12,7
Art.No.	A	B	C	D
FB-U5	25,4	6,35	22	12,7
<p>Length: 500 mm</p> <p>Späneschutz Chip protector</p>		<p>Length: 560 mm</p>		
Art.No.	A	B	C	D
FB-U60	25	6	21	11
Art.No.	A	B	C	D
FB-U90	25	6	21	11

Way Wipers (FB)



Serie(s) M

Recommended preload series M: 0,5 - 1 mm

Material:
Lip: PUR

Art.No.	A	B	C	C1	D	Length
FB-M14/530	14	4,6	10,2	7,7	8,6	530
FB-M14/1000	14	4,6	10,2	7,7	8,6	1000

Material:
Lip: PUR

Art.No.	A	B	C	C1	D	Length
FB-M18/530	18	4,6	14,2	11,7	8,6	530
FB-M18/1000	18	4,6	14,2	11,7	8,6	1000
FB-M18/25 Lippe/Lip					Spare lip	2000

Material:
Lip: PUR

Art.No.	A	B	C	C1	D	Length
FB-M25/530	25	4,6	21,2	18,7	8,6	530
FB-M25/1000	25	4,6	21,2	18,7	8,6	1000
FB-M18/25 Lippe/Lip					Spare lip	2000

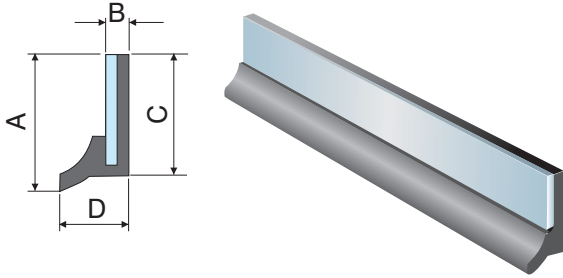
Material:
Lip: synth. caoutchouc

Art.No.	A	B	C	D	Length
FB-M27	27	6	24,6	9,5	500

Way Wipers (FB)

Series H

Recommended preload: 0,5 - 1 mm

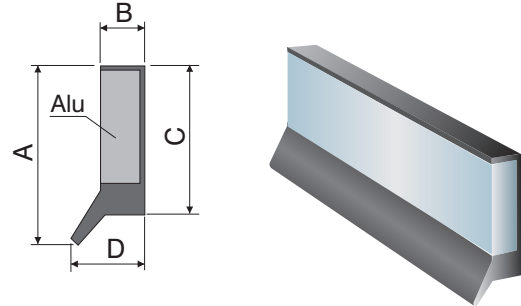


Length: 500 mm

Art.No.	A	B	C	D
FB-H1	12,5	2	11	6

Series K

Recommended preload: 1 - 2 mm

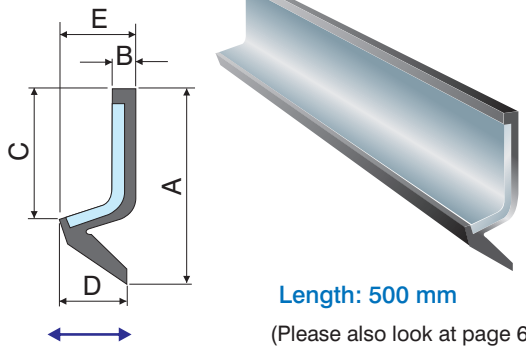


Length: 500 mm

Art.No.	A	B	C	D
FB-K1	18	4,5	15	7,5
FB-K3	25	4,5	22	7,5

Series N

Recommended preload: 1 - 3 mm

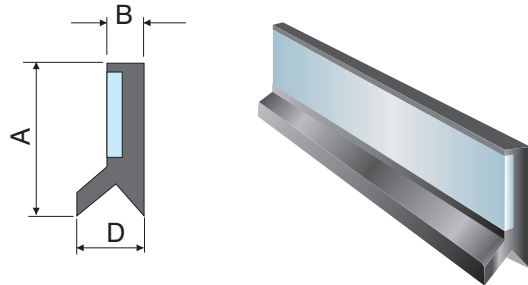


Length: 500 mm
(Please also look at page 6)

Art.No.	A	B	C	D	E
FB-N1	26	3	17,5	8,8	9,85

Series V

Recommended preload: 1,5 - 2 mm

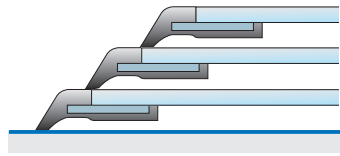


Length: 560 mm

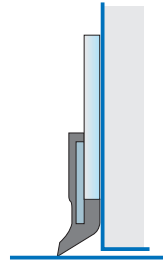
Art.No.	A	B	D
FB-V1	20	6	11
FB-V3	25	6	11

Wipers (TA)

for Telescopic Steel Covers
or limited space applications



The TA-Series wipers have been specially developed for telescopic steel covers. They keep cover boxes clean and prevent dirt and chips from entering. The wipers are spot-welded, riveted or screwed to the cover boxes. In confined spaces, some may also be used (vertically) as way wipers.

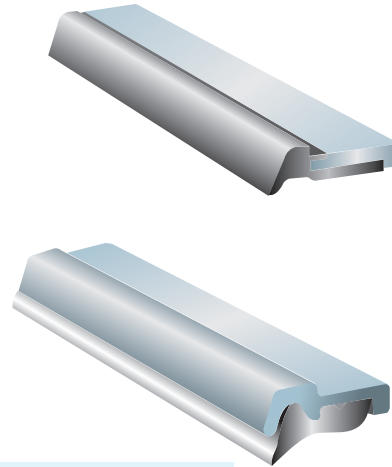


Design

Unless otherwise indicated in the drawing, TA Series wipers are made of synthetic rubber with molded-in steel insert.

Material properties of wiper lip

- Highly abrasion-resistant
- Temperature-resistant from -40°C to $+100^{\circ}\text{C}$, short-term up to 140°C
- Very good mechanical characteristics
- Resistant to coolants and mineral oils
- Resistant to microorganisms
- Hydrolitic resistance.



For permanent operating temperatures of up to 200°C or where the wipers are exposed to particularly aggressive coolants or acids, they can also be made from other elastomers, such as FPM.

Dimensional stability

The wipers are manufactured in special molds, ensuring 100% repeat-order accuracy.

Corrosion protection

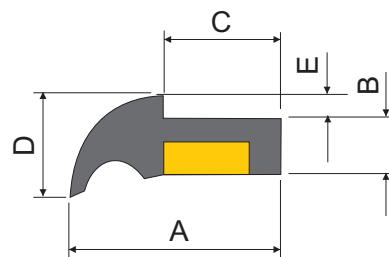
All wipers type TA are provided with a protective corrosion oil.

Delivery

Standard lengths are available from stock.
Processed wipers (cut to length, drilled, milled...) available on short notice.

Preload

All wipers shown in relaxed position.
Recommended preload: see drawings inside.



Wipers (TA)

for Telescopic Steel Covers
or limited space applications



Series A

CrNi Chip Protector		Grooves for spot welding		Recommended preload series A: 1 mm					
		Art.No.	A	B	C	D	E	Length	
		TA-A1	15	2	8	6	2	500	
		TA-A3	15	2	8	6	2	1000	
		TA-A15	CrNi Chip Protector					1000	
		Art.No.	A	B	C	D	E	Length	
		TA-A5	15	2	8	6	2	500	
		Art.No.	A	B	C	D	E	Length	
		TA-A7	15	2	8	6	2	500	
		Art.No.	A	B	C	D	E	Length	
		TA-A30	15	2,25	8	5,5	1,5	600	
		Art.No.	A	B	C	C1	D	E	Length
		TA-A40	16	3	10	10,5	7	2	560

Wipers (TA)

for Telescopic Steel Covers
or limited space applications



Series B

CrNi Chip Protector

Grooves for spot welding

Recommended preload series B: 1 mm

Art.No.	A	B	C	D	E	Length
TA-B1	18	2,3	12	6	1,5	500
TA-B3	18	2,3	12	6	1,5	1000
TA-B15	Späneschutz aus CrNi CrNi Chip Protector					1000

Steel insert
12 x 2 mm

Art.No.	A	B	C	D	E	Length
TA-B5	18	2,3	12	6	1,5	500

Steel insert
25 x 2 mm

Art.No.	A	B	C	D	E	Length
TA-B7	18	2,3	12	6	1,5	500

Series B with bumper

CrNi Chip Protector

Art.No.	A	B	C	D	E	Length
TA-B9	20	3,3	14	5,5	1,5	500
TA-B15	CrNi Chip Protector					1000

CrNi Chip Protector

Art.No.	A	B	C	D	E	Length
TA-B11	22	3,3	16	5,5	1,5	500
TA-B15	CrNi Chip Protector					1000

Wipers (TA)

for Telescopic Steel Covers
or limited space applications



Series C

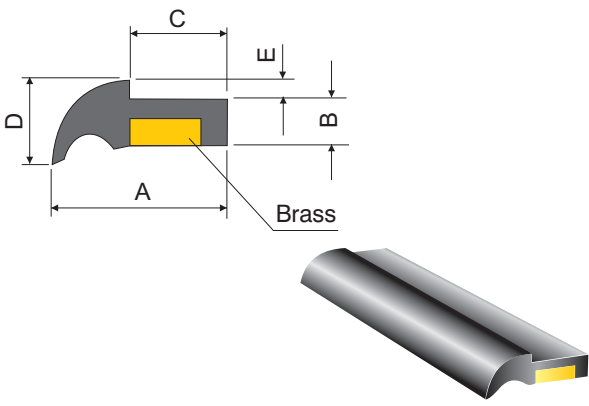
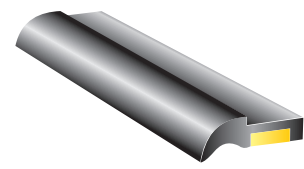
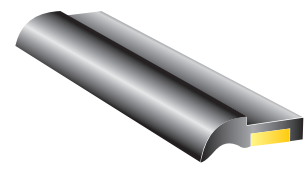
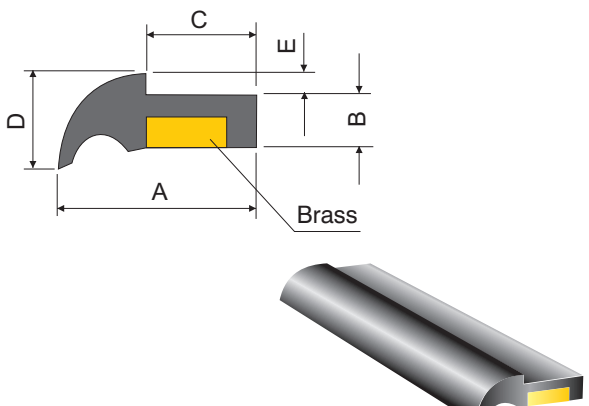
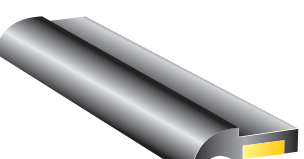
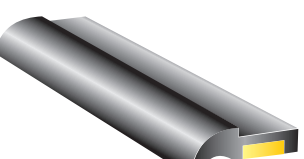
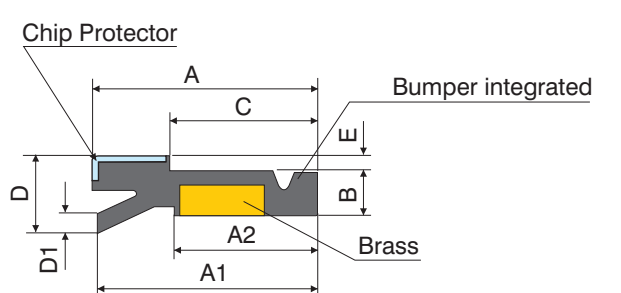
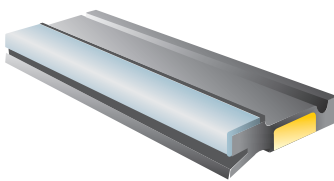
Mounting example		Recommende preload series C: 2,5 mm																																							
Casing 		<table border="1"> <thead> <tr> <th>Art.No.</th> <th>A</th> <th>B</th> <th>B1</th> <th>C</th> <th>D</th> <th>E</th> <th>F</th> <th>Length</th> <th>Material Casing</th> </tr> </thead> <tbody> <tr> <td>TA-C1.5</td> <td>14</td> <td>3,5</td> <td>4</td> <td>8</td> <td>4,5</td> <td>1,5</td> <td>2,5</td> <td>1000</td> <td>Steel</td> </tr> <tr> <td>TA-C1.6</td> <td>14</td> <td>3,5</td> <td>4</td> <td>8</td> <td>4,5</td> <td>1,5</td> <td>2,5</td> <td>3000</td> <td>Steel</td> </tr> </tbody> </table>		Art.No.	A	B	B1	C	D	E	F	Length	Material Casing	TA-C1.5	14	3,5	4	8	4,5	1,5	2,5	1000	Steel	TA-C1.6	14	3,5	4	8	4,5	1,5	2,5	3000	Steel								
Art.No.	A	B	B1	C	D	E	F	Length	Material Casing																																
TA-C1.5	14	3,5	4	8	4,5	1,5	2,5	1000	Steel																																
TA-C1.6	14	3,5	4	8	4,5	1,5	2,5	3000	Steel																																
Lip 		<table border="1"> <thead> <tr> <th>Art.No.</th> <th>Length</th> <th>Material Lip</th> </tr> </thead> <tbody> <tr> <td>TA-C1.7W</td> <td rowspan="4">endless</td> <td>milky white</td> </tr> <tr> <td>TA-C1.7S</td> <td>black</td> </tr> <tr> <td>TA-C1.7R</td> <td>red</td> </tr> <tr> <td>TA-C1.9</td> <td>black</td> </tr> </tbody> </table>		Art.No.	Length	Material Lip	TA-C1.7W	endless	milky white	TA-C1.7S	black	TA-C1.7R	red	TA-C1.9	black																										
Art.No.	Length	Material Lip																																							
TA-C1.7W	endless	milky white																																							
TA-C1.7S		black																																							
TA-C1.7R		red																																							
TA-C1.9		black																																							
Mounting example 		Casing <table border="1"> <thead> <tr> <th>Art.No.</th> <th>A</th> <th>B</th> <th>B1</th> <th>C</th> <th>D</th> <th>E</th> <th>Length</th> <th>Material Casing</th> </tr> </thead> <tbody> <tr> <td>TA-C1.20</td> <td>19</td> <td>3</td> <td>~4</td> <td>12</td> <td>4,5</td> <td>2,3</td> <td>1000</td> <td>Steel</td> </tr> </tbody> </table>		Art.No.	A	B	B1	C	D	E	Length	Material Casing	TA-C1.20	19	3	~4	12	4,5	2,3	1000	Steel																				
Art.No.	A	B	B1	C	D	E	Length	Material Casing																																	
TA-C1.20	19	3	~4	12	4,5	2,3	1000	Steel																																	
		Lip <table border="1"> <thead> <tr> <th>Art.No.</th> <th>Length</th> <th>Material Lip</th> </tr> </thead> <tbody> <tr> <td>TA-C1.21</td> <td>endless</td> <td>PUR</td> </tr> </tbody> </table>		Art.No.	Length	Material Lip	TA-C1.21	endless	PUR																																
Art.No.	Length	Material Lip																																							
TA-C1.21	endless	PUR																																							
Mounting example 		Casing <table border="1"> <thead> <tr> <th>Art.No.</th> <th>A</th> <th>B</th> <th>B1</th> <th>C</th> <th>D</th> <th>E</th> <th>Length</th> <th>Material Casing</th> </tr> </thead> <tbody> <tr> <td>TA-C1.22</td> <td>19</td> <td>3,3</td> <td>3,8</td> <td>12</td> <td>3,5</td> <td>2</td> <td>1000</td> <td>Steel</td> </tr> </tbody> </table>		Art.No.	A	B	B1	C	D	E	Length	Material Casing	TA-C1.22	19	3,3	3,8	12	3,5	2	1000	Steel																				
Art.No.	A	B	B1	C	D	E	Length	Material Casing																																	
TA-C1.22	19	3,3	3,8	12	3,5	2	1000	Steel																																	
		Lip <table border="1"> <thead> <tr> <th>Art.No.</th> <th>Length</th> <th>Material Lip</th> </tr> </thead> <tbody> <tr> <td>TA-C1.23</td> <td>endless</td> <td>PUR</td> </tr> </tbody> </table>		Art.No.	Length	Material Lip	TA-C1.23	endless	PUR																																
Art.No.	Length	Material Lip																																							
TA-C1.23	endless	PUR																																							
Mounting example 		Mantel/Casing <table border="1"> <thead> <tr> <th>Art.No.</th> <th>A</th> <th>B</th> <th>B1</th> <th>C</th> <th>D</th> <th>E</th> <th>Length</th> <th>Material Casing</th> </tr> </thead> <tbody> <tr> <td>TA-C1.24</td> <td>15</td> <td>2,8</td> <td>3,3</td> <td>8</td> <td>4</td> <td>2</td> <td>1000</td> <td>Steel</td> </tr> </tbody> </table>		Art.No.	A	B	B1	C	D	E	Length	Material Casing	TA-C1.24	15	2,8	3,3	8	4	2	1000	Steel																				
Art.No.	A	B	B1	C	D	E	Length	Material Casing																																	
TA-C1.24	15	2,8	3,3	8	4	2	1000	Steel																																	
		Lippe/Lip <table border="1"> <thead> <tr> <th>Art.No.</th> <th>Length</th> <th>Material Lip</th> </tr> </thead> <tbody> <tr> <td>TA-C1.25</td> <td>endless</td> <td>PUR</td> </tr> </tbody> </table>		Art.No.	Length	Material Lip	TA-C1.25	endless	PUR																																
Art.No.	Length	Material Lip																																							
TA-C1.25	endless	PUR																																							

Wipers (TA)

for Telescopic Steel Covers
or limited space applications

Series M

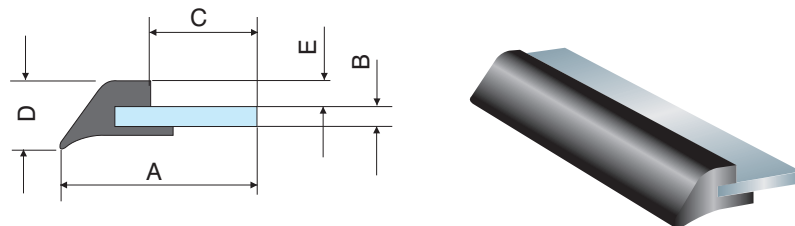
Recommended preload for M1 und M 2: 1 mm

	Wiper complete										
	Art.No.	A	B	C	D	E	Length	Material Insert			
	TA-M1.0	16	4	10	6,5	1	1000	Brass 8x2			
	Brass insert										
	Art.No.						Length	Material			
	TA-M1.2	for Way wiper TA-M1.0					1000	Brass 8x2			
	Lip										
	Art.No.						Length				
	TA-M1.3	for Way wiper TA-M1.0					endless				
	TA-M1.4	for Way wiper TA-M1.0					1000				
	Wiper complete										
	Art.No.	A	B	C	D	E	Length	Material Insert			
	TA-M2.0	21	5	12	9	2	1000	Brass 8x3			
	Brass insert										
	Art.No.						Length	Material			
	TA-M2.2	for Way wiper TA-M2.0					1000	Brass 8x3			
	Lip										
	Art.No.						Length				
	TA-M2.3	for Way wiper TA-M2.0					endless				
	TA-M2.4	for Way wiper TA-M2.0					1000				
<i>Recommended preload: 1,5 mm</i>											
	Chip Protector										
	Bumper integrated										
	Art.No.	A	A1	A2	B	C	D	D1	E	Length	Material Insert
	TA-M3.0	21,3	20,8	13,5	4,4	14	7,6	1,9	1,5	1000	Brass
											

Wipers (TA)

for Telescopic Steel Covers
or limited space applications

Serie(s) R



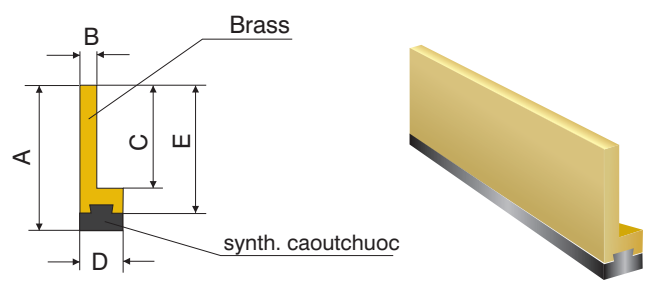
Recommended preload: 0,5 - 1 mm

Length: 560 mm

Art.No.	A	B	C	D	E
TA-RA1	16	2	9	6	1,5
TA-RA2	20	2	11	7	2,5
TA-RA3	13	1,5	7	4	1,3

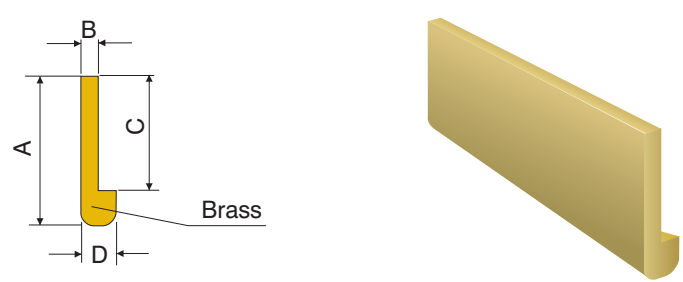
Sliding Shoes

for Telescopic Steel Covers



Length: 500 mm

Art.No.	A	B	C	D	E
TA-G1	17	2	12	5	15



Length: 1000 mm

Art.No.	A	B	C	D
TA-G2	17	2	13	4

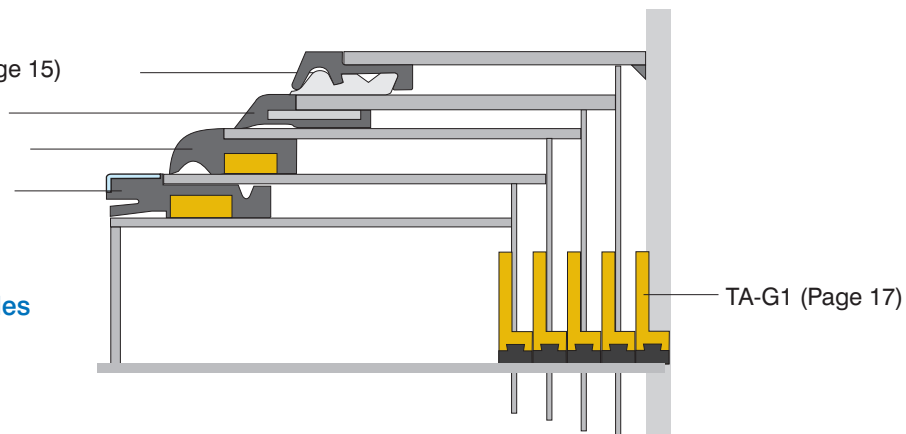
TA-C1.5/1.6 +1.7 (Page 15)

TA-A1 (Page 13)

TA-M1.0 (Page 16)

TA-M3 (Page 16)

Application examples

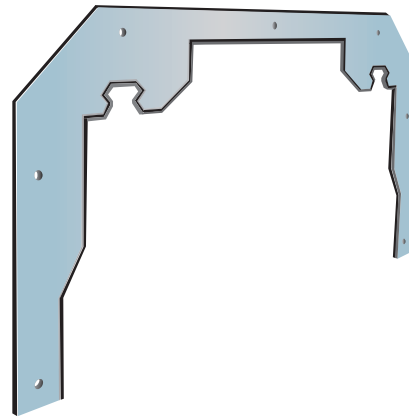


Formed Wipers

Custom made wipers

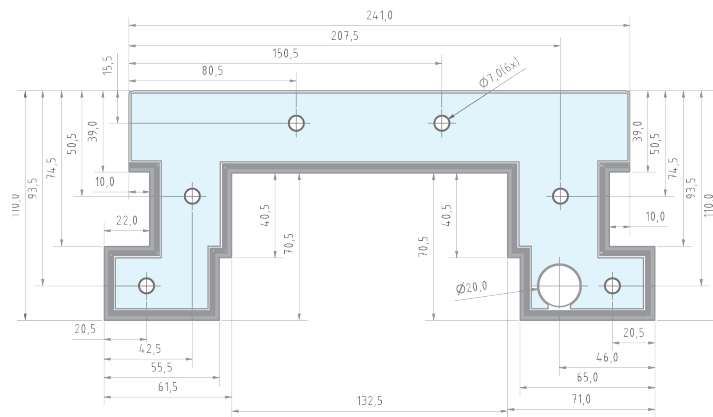


These are manufactured in special molds. CQM can offer wipers with any configuration that is technically possible.



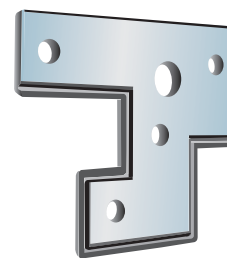
Precision

The precision of the mold is a criterion of the wiper's accuracy and guarantees optimum wiping results. And since CQM offers wipers that are manufactured in molds, 100 % accuracy is guaranteed for repeat orders.



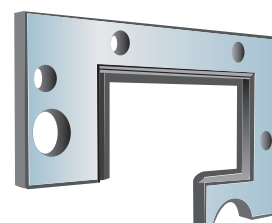
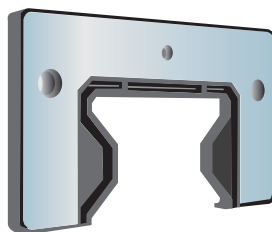
Safety

For your safety, we shall send you drawings for approval before production starts. We will gladly accept your CAD drawings which we will then adapt accordingly and return to you for your approval.



Protective coating

All formed wipers are provided with a transparent coating as a protection against chips and corrosion. The coating is optionally available in black.



Lettering

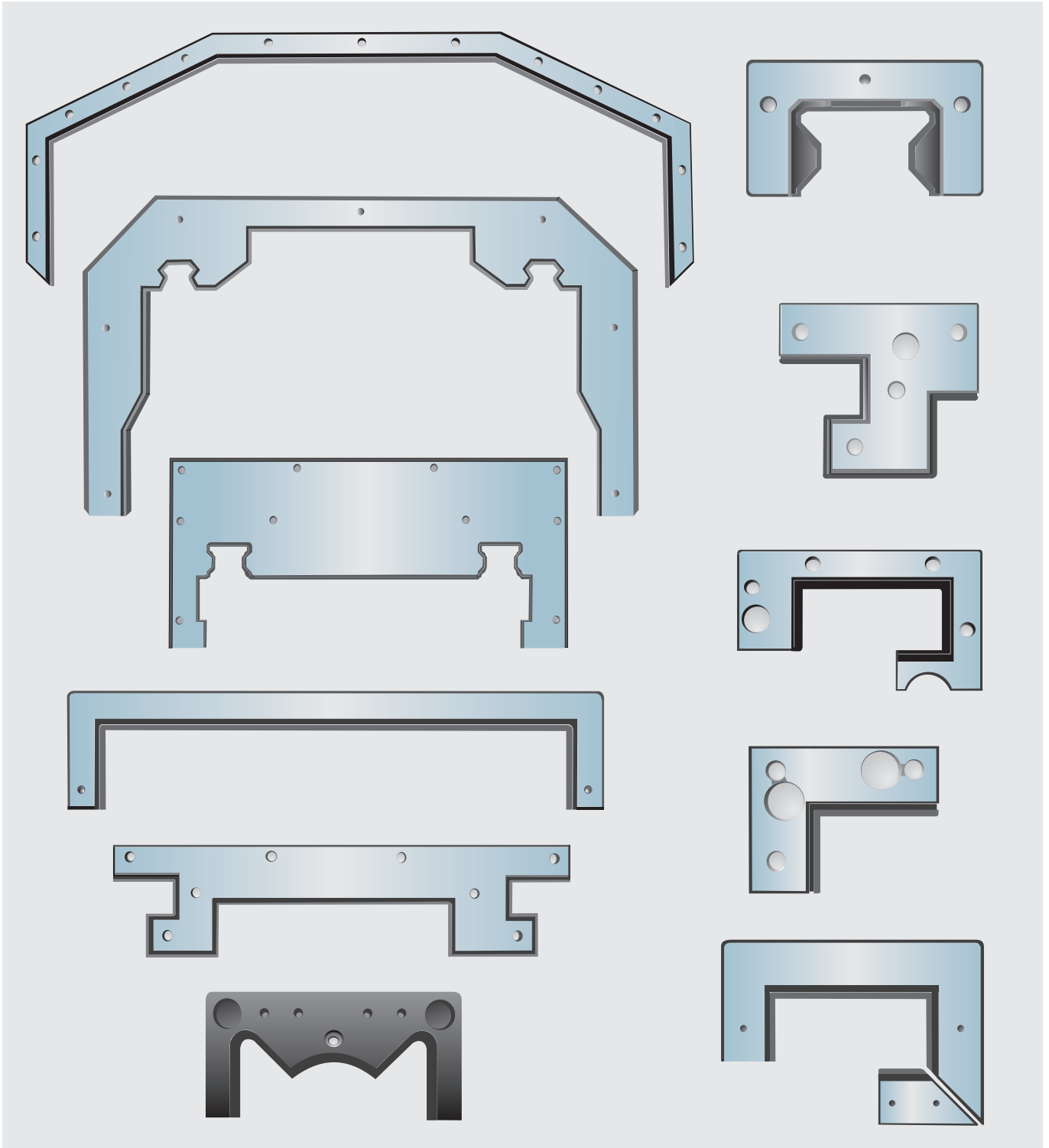
Your formed wipers can be lettered to your specifications.

Formed Wipers

Custom made wipers



Examples



Inquiries/Orders

For calculation of the requested formed wiper we need a rough drawing and the quantity. In case of order we gladly accept your CAD drawing which we will adapt accordingly and return to you for approval.