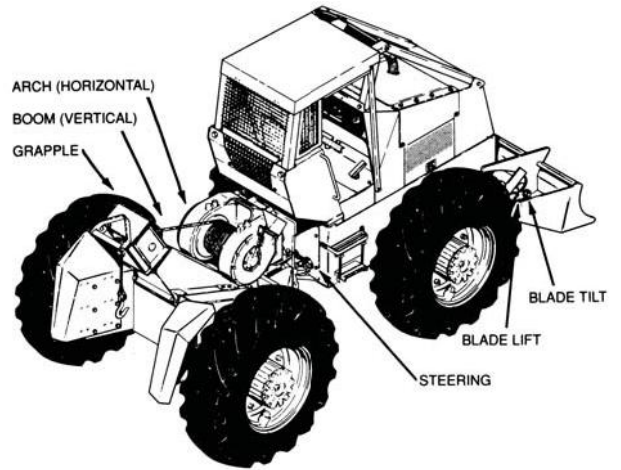
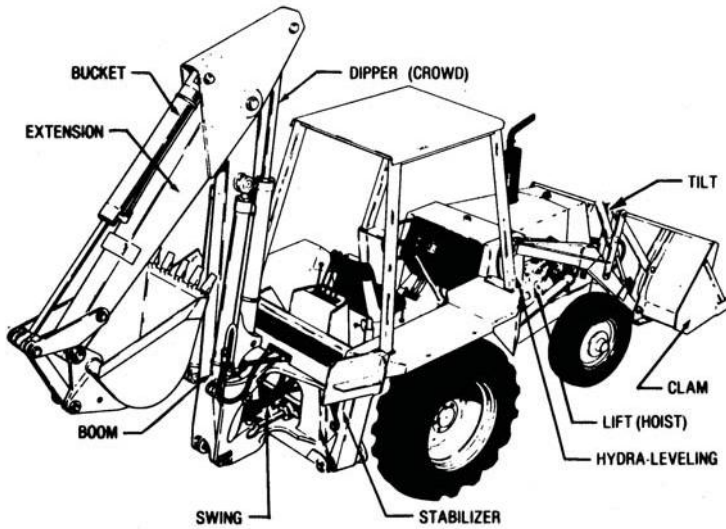


# HYDRAULIC CYLINDER APPLICATIONS

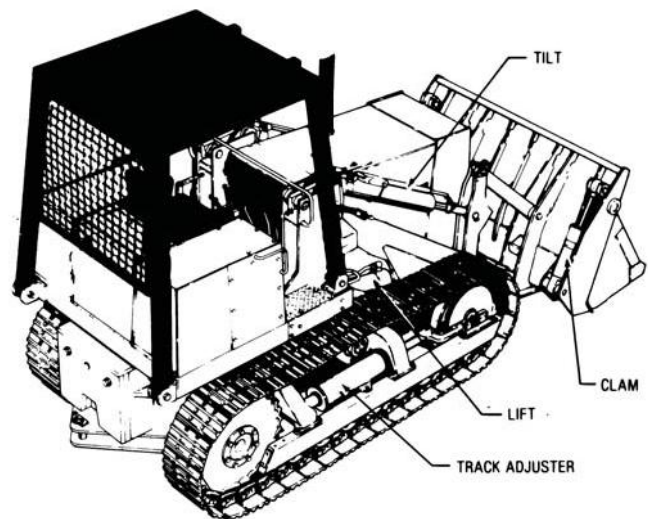
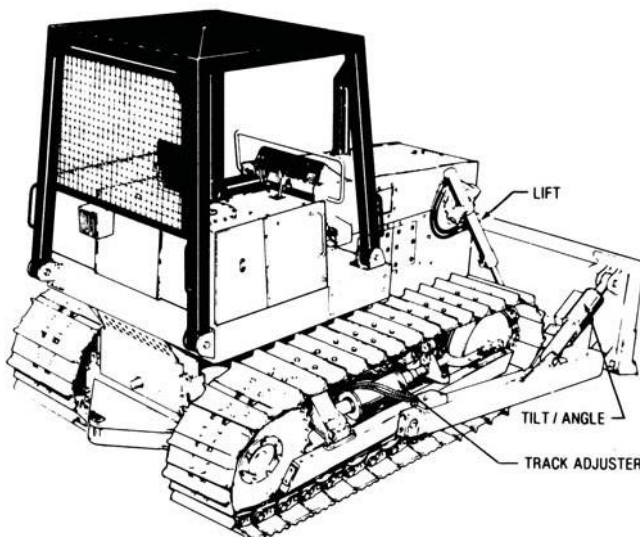


## BACKHOE LOADERS



## LOG SKIDDERS

## CRAWLER DOZERS

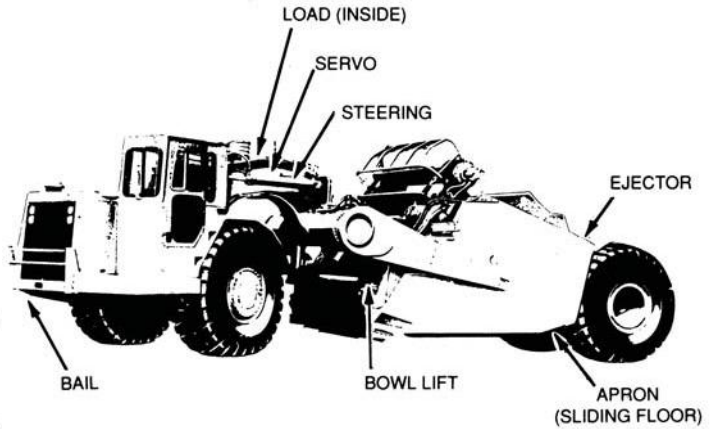
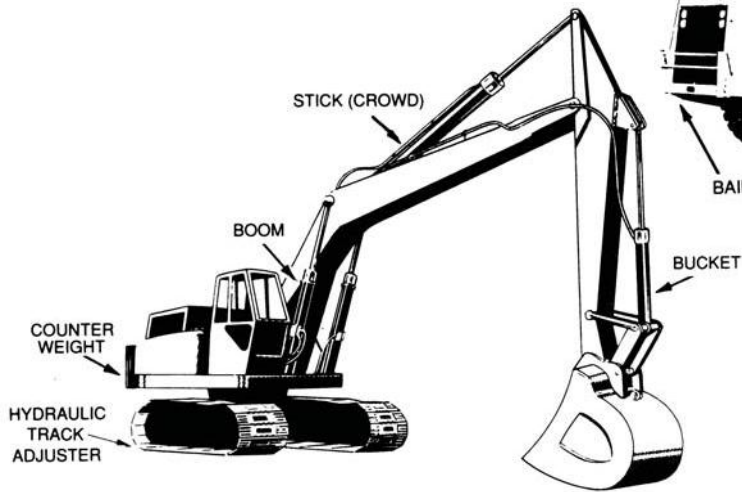


## CRAWLER LOADERS

# HYDRAULIC CYLINDER APPLICATIONS

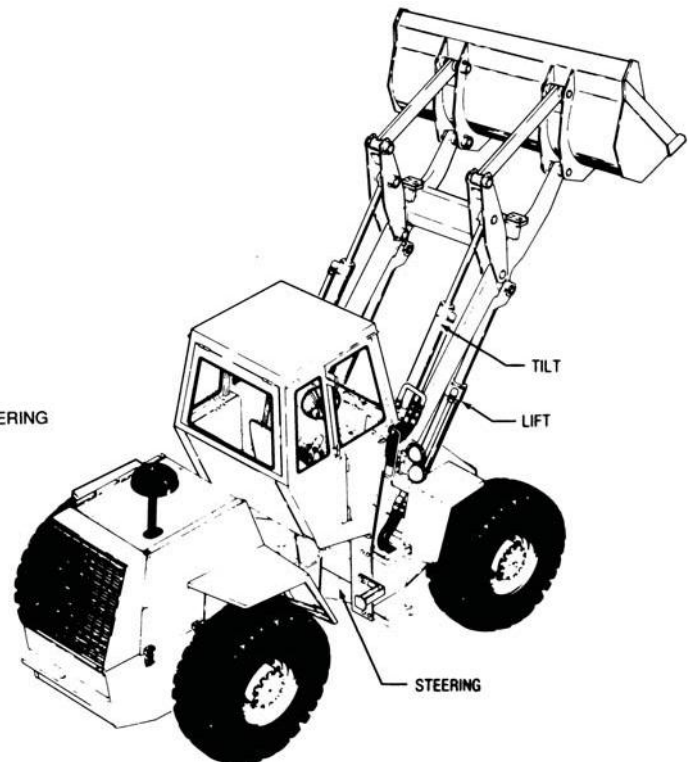
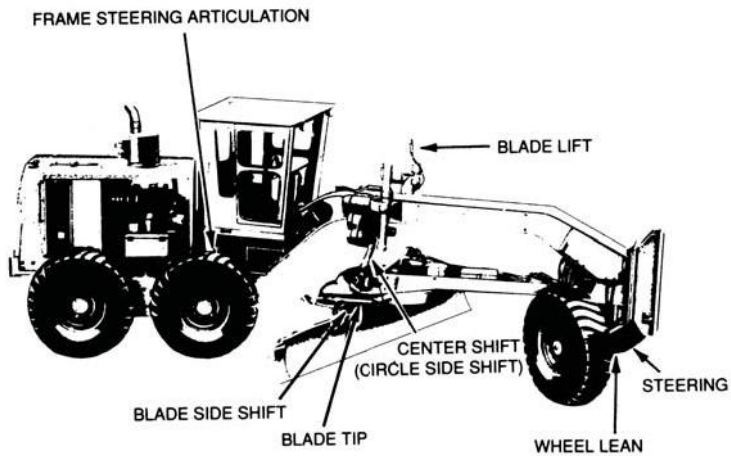


## EXCAVATORS



## SCRAPERS

## MOTOR GRADERS



## WHEEL LOADERS